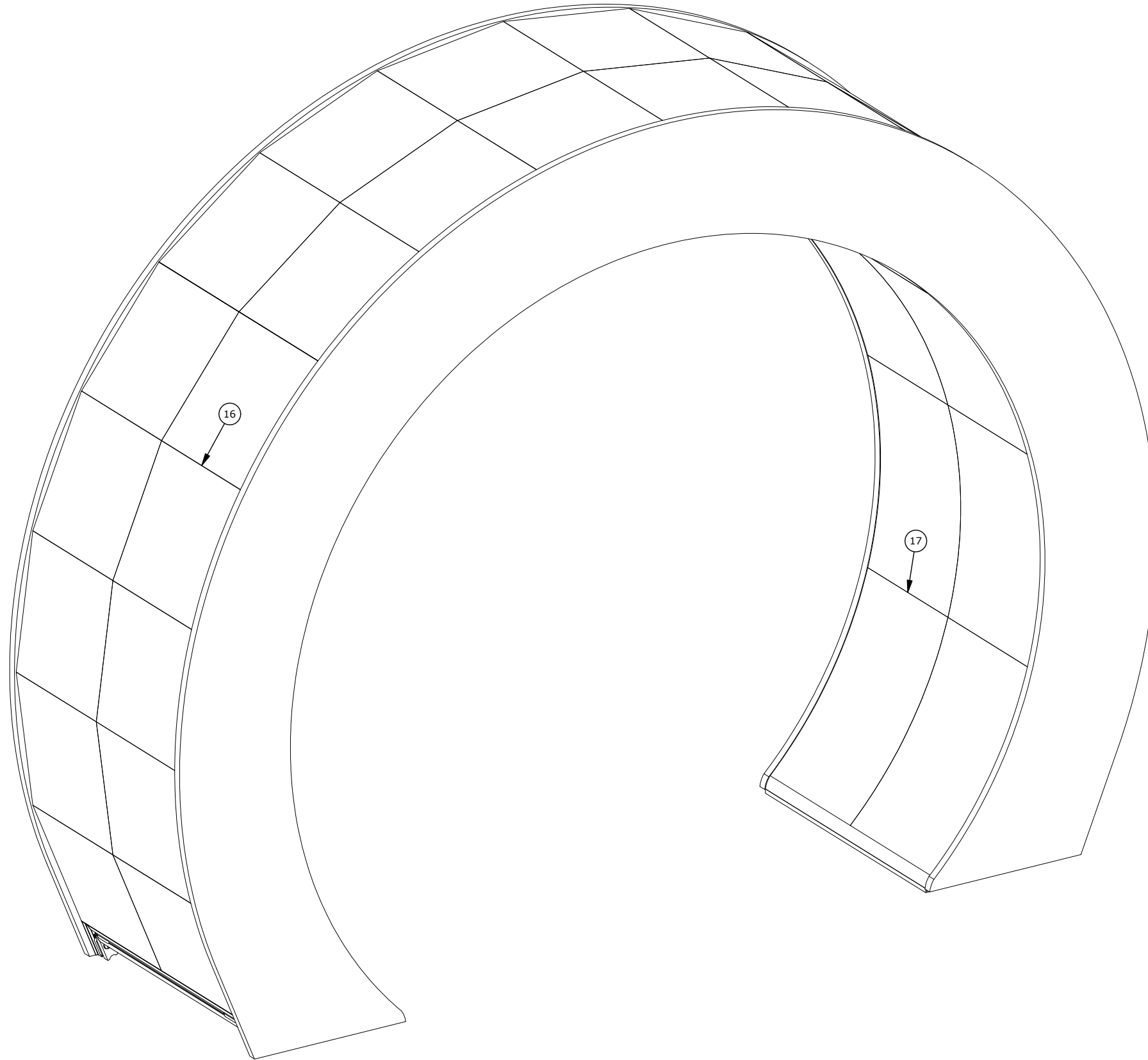


Hi-LED tunnel 992mm double sided

Inside: Hi-LED 55 R176

Outside: Hi-LED 55+

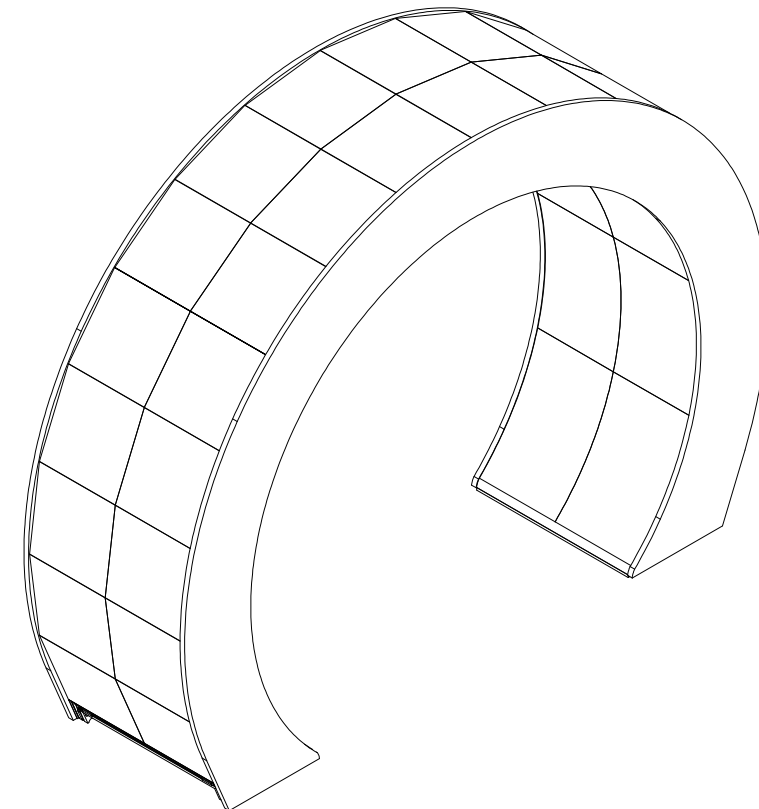
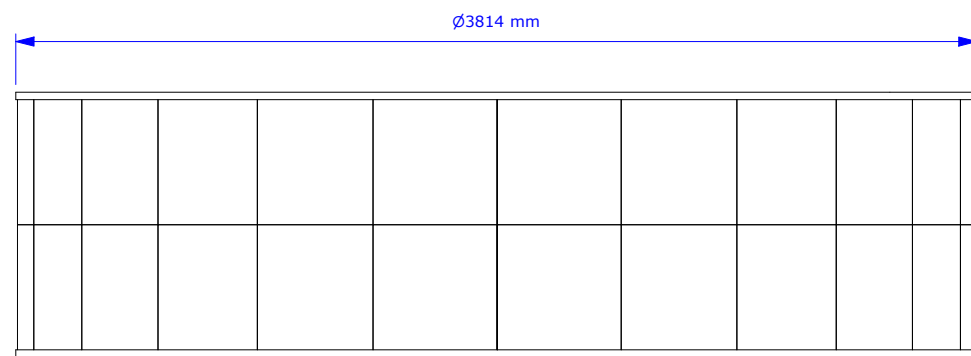
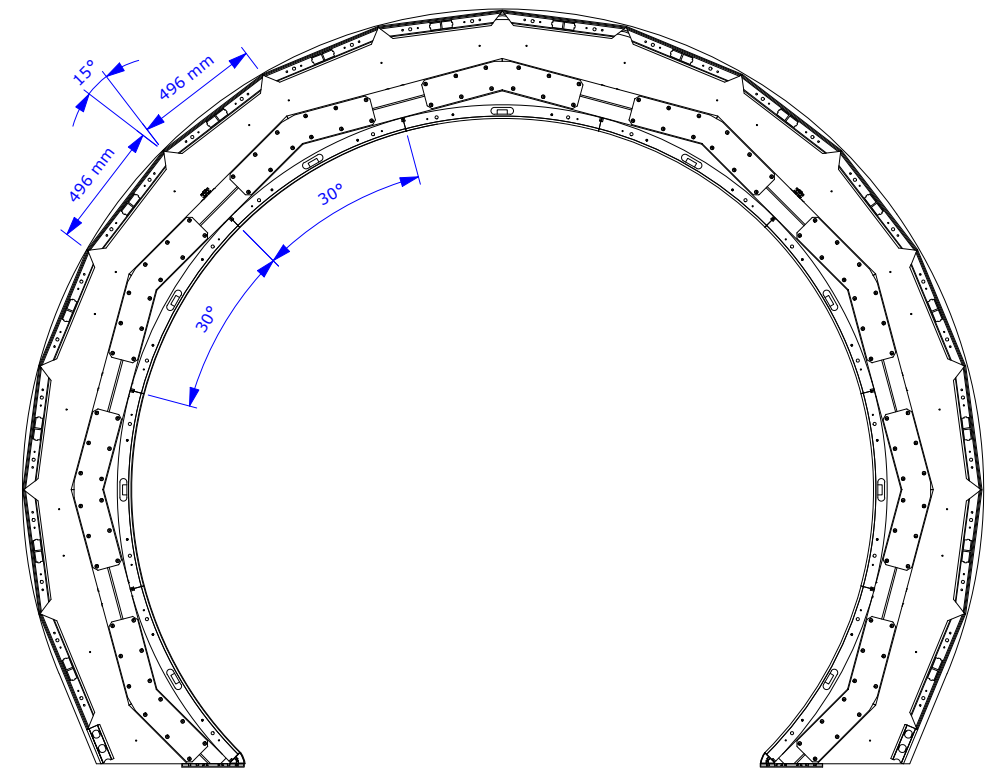
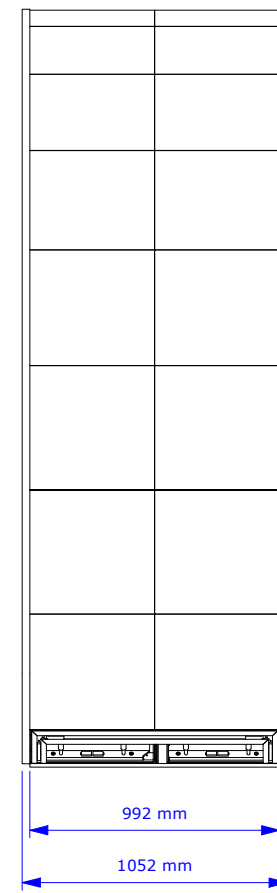
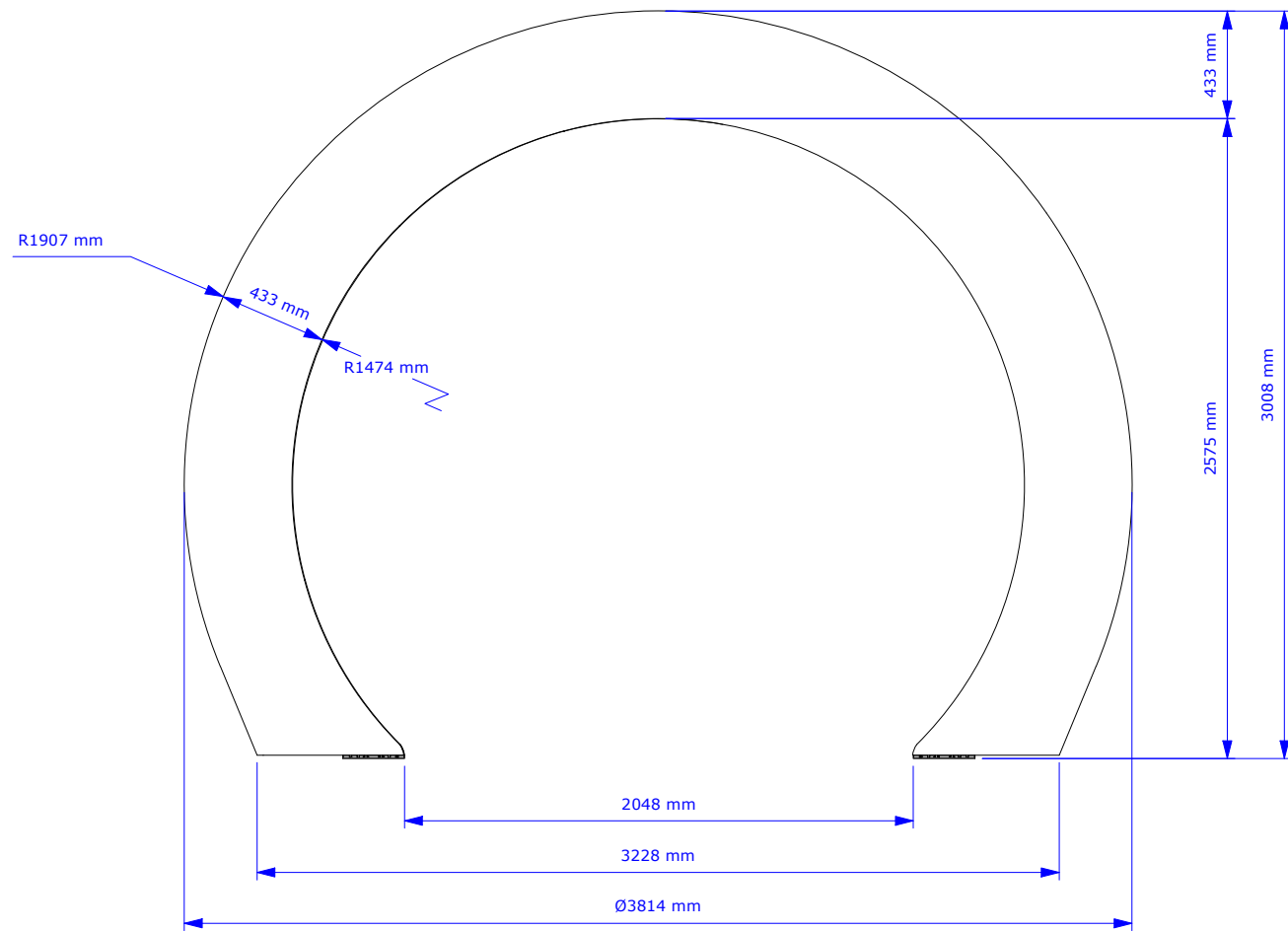


Pos	Description EU	Qty	Comments EU
1	MDF Cover	2	
2	C135-corner A1 profile RAL9005S 992mm	2	(90-90)
3	Extend A1 profile /m A	24	885,6mm (75H 75H) Profile 3
4	Extend A1 profile /m A	6	420,9mm (75H 75H) Profile 4
5	Omni-55+ v2 A3 profile A 147mm	4	(45V-90-@31left)
6	Omni-55+ v2 A3 profile A 992mm	2	(45V-45V)
7	Omni-248 cover A1 profile RAL9005S 992mm	2	(90-90) Profile 1
8	UP A1 profile /m A	2	972mm (90 90) Profile 2
9	Extend 150° reinforcement set Z	27	
10	hex socket flat head cap screw M6*20 Z	4	
11	hex socket flat head cap screw M6*30 Z	44	
12	hex socket flat head cap screw M6*40 Z	6	
13	hex socket head screw DIN 912 M6x140 Z	48	
14	quickfix set T21/4 90° H Z	2	
15	Hi-LED 55+ connector -15° B	2	
16	Hi-LED 55+ P2.5 OR	32	
17	Hi-LED R1476 concave P2.5	18	

Client	The Event Co. - London Ltd	Project	SQ1-23009275	Page 1 / 2
Ref.	HI-LED Tunnel double-sided	Author	JSB	
Date	19/06/2024	Version	1	

+32 (0)9 381 54 70 - www.aluvision.com

Hi-LED tunnel 992mm



Client	The Event Co. - London Ltd	Project	SQ1-23009275	Page 2 / 2
Ref.	HI-LED Tunnel double-sided	Author	JSB	
Date	19/06/2024	Version	1	
+32 (0)9 381 54 70 - www.aluvision.com				

