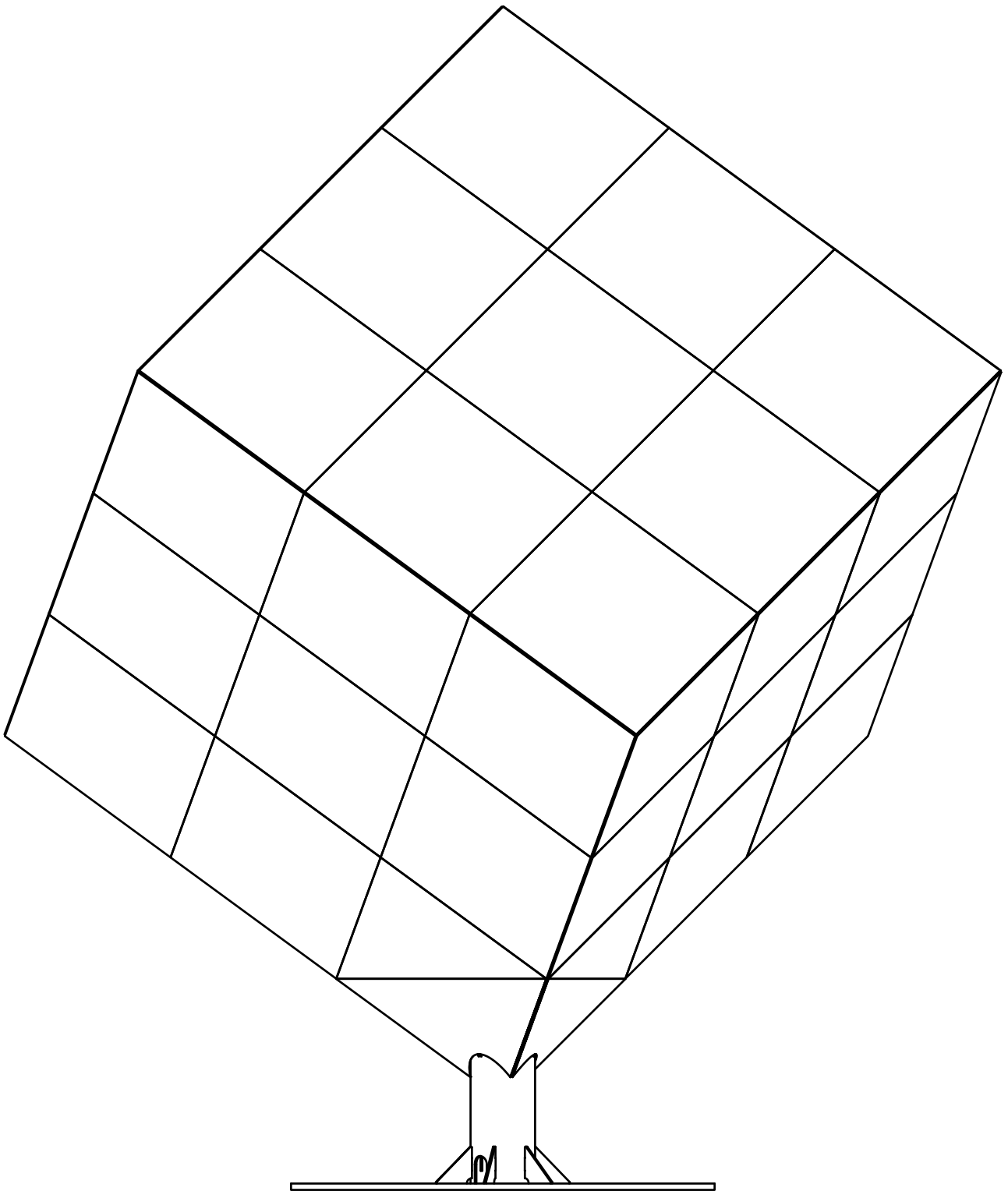


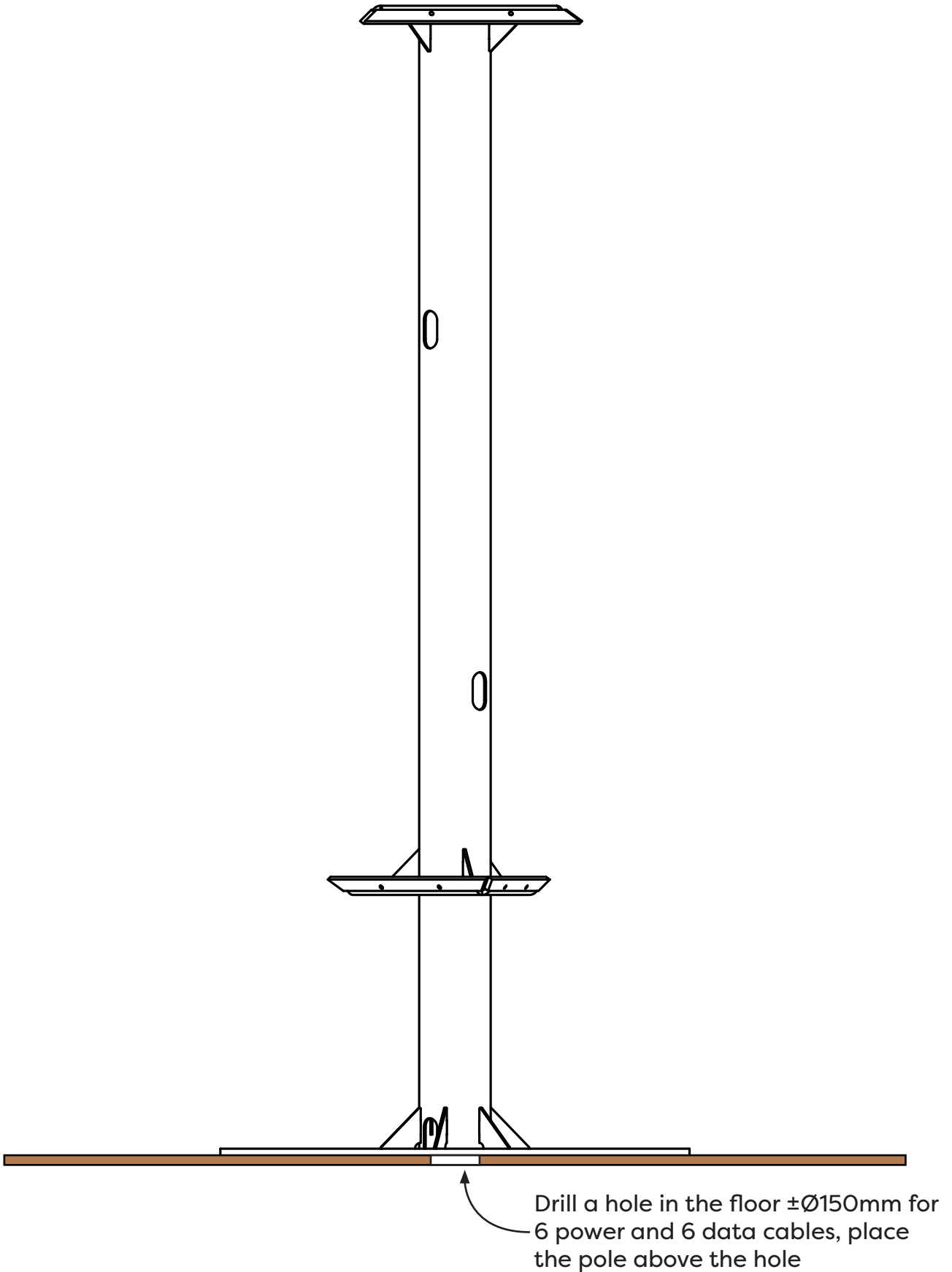
# Hi LED 55+ diamond Manual



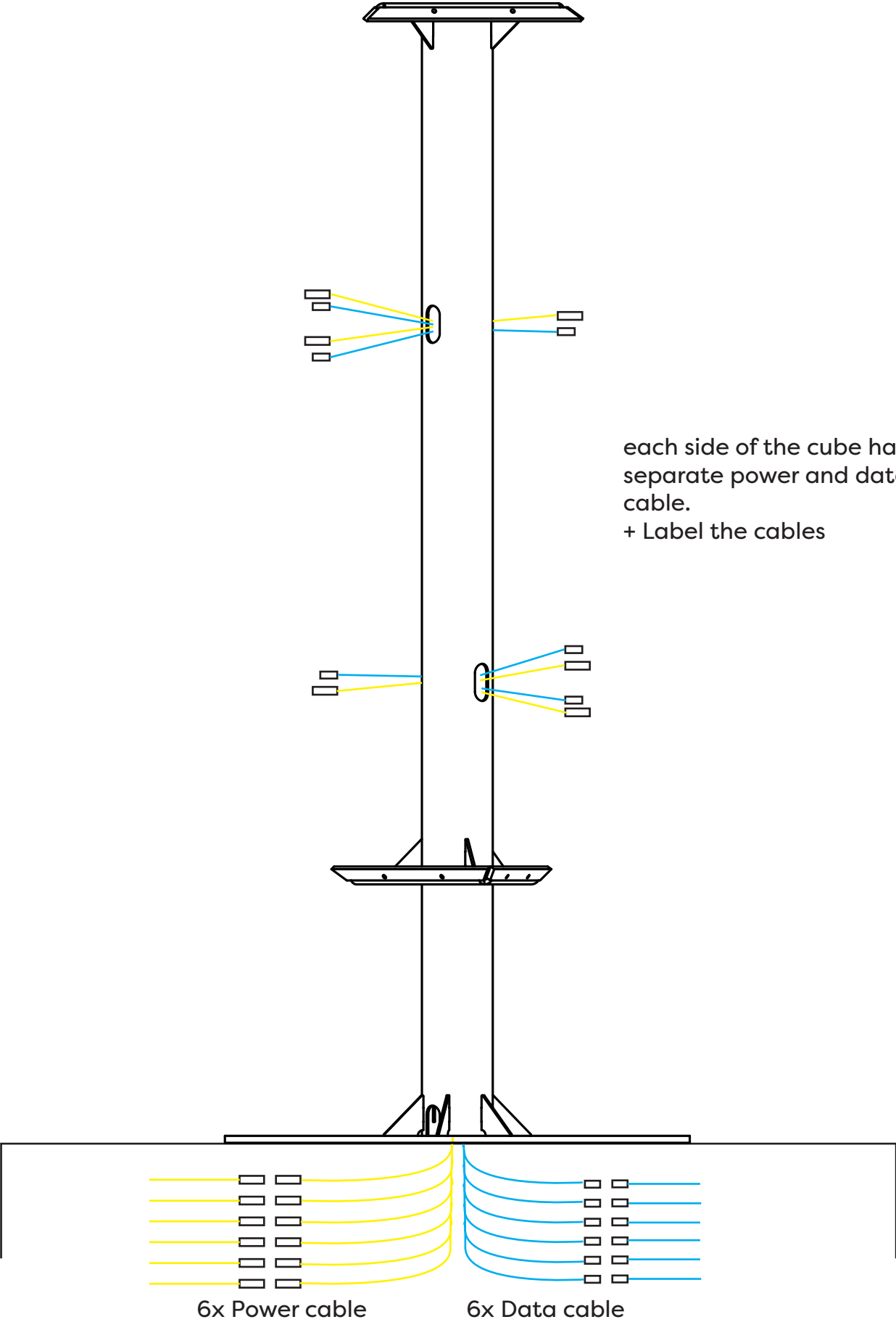
# BOM HI LED 55+ Diamond

Aantal	NR°	Omschrijving
1	RD1-22076003	Paal
6	RD1-22076001	Frames
6	RD1-22076001	Mounting plate
6	RD1-22076001	L-profiel kort
6	RD1-22076001	L-profiel Lang
3	RD1-22076004	Afdekplaat
52	700-9001-0211	Hi-LED 55+ P2.8 OR
3	700-9001-0311 (aangepast)	Hi-LED 55+ leds gezaagd
144	B08000 0934 35E	Moeren M8
48	B08055 7991 25E	Verzonken M8x55
96	B08055 7380 23E	Bolkop M8x55
96	B08020 7380 23E	Bolkop M8x20
96	B08016 0125 42E	Rondellen M8
3	RD1-22076002	Internet kabel M-F 3 meter
6	700-0449-2001	Hi-LED signal cable 20m
6	700-0422-1002	Hi-LED power cable OU 10m
72	59-25-4103	Hi-LED 55+ connector 90°

# Placing of the pole

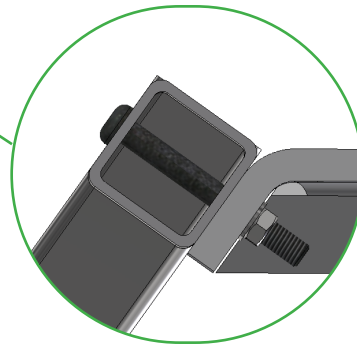
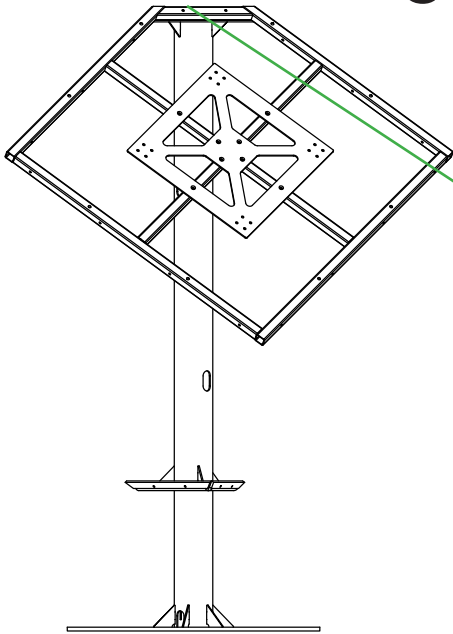


# Cable management



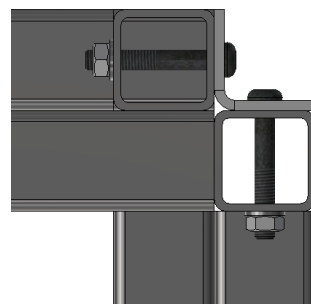
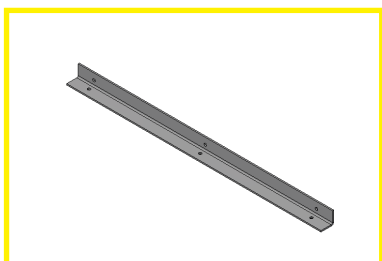
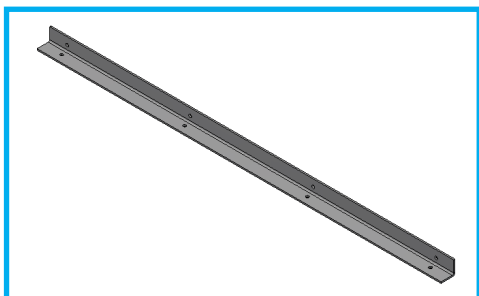
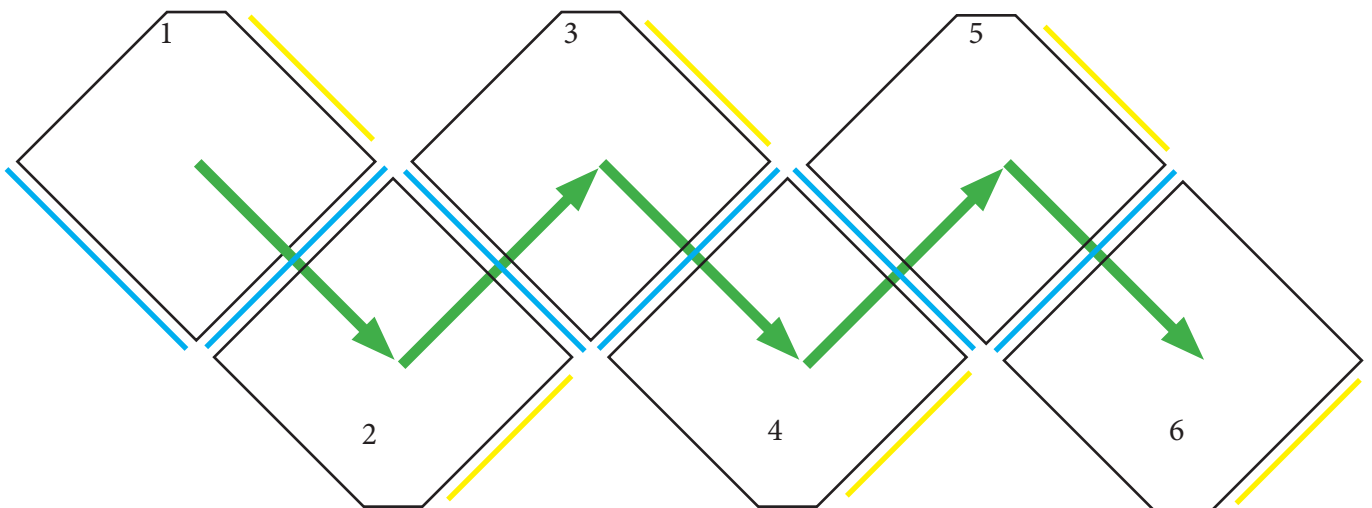
# Placing the frame structure

Start by attaching a frame at the top.

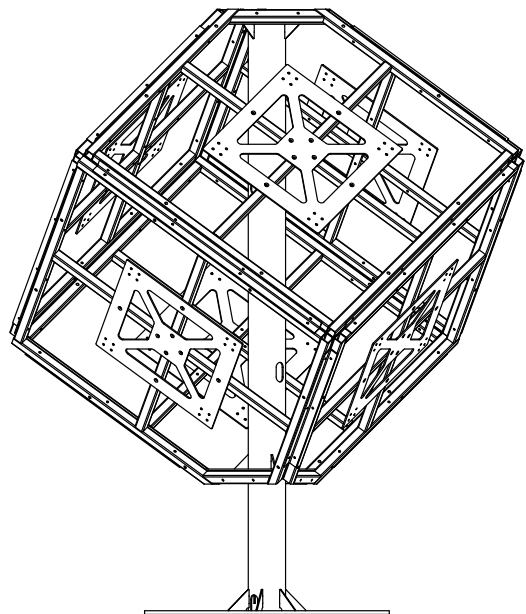
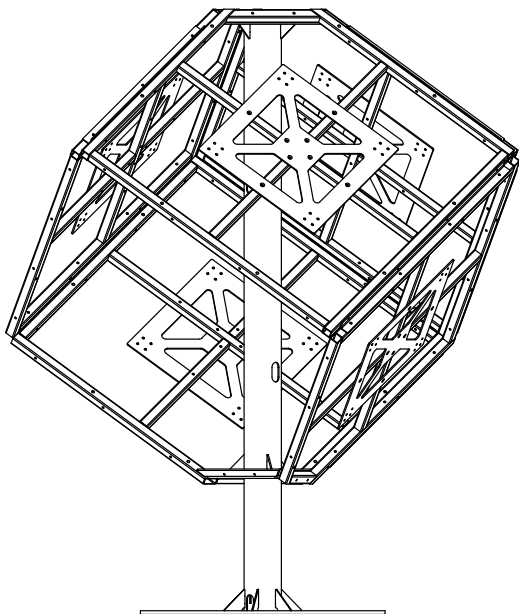
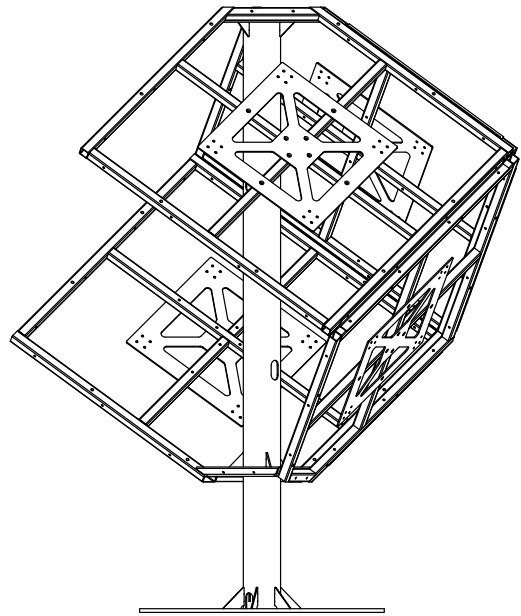
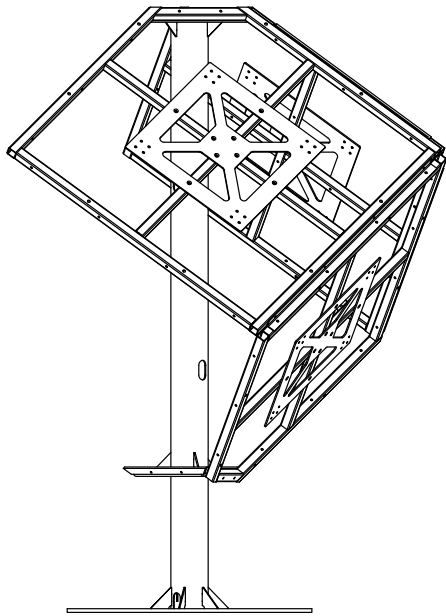
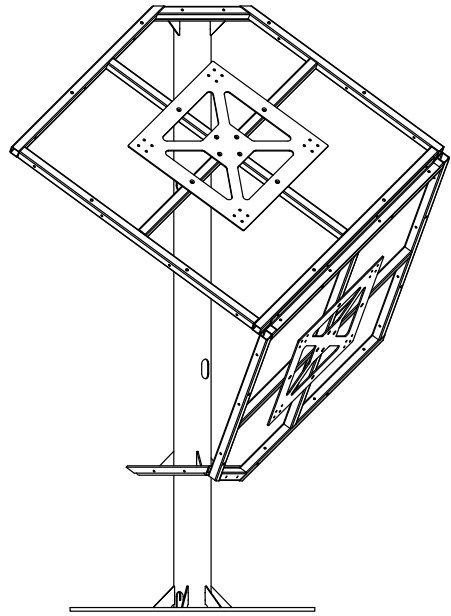
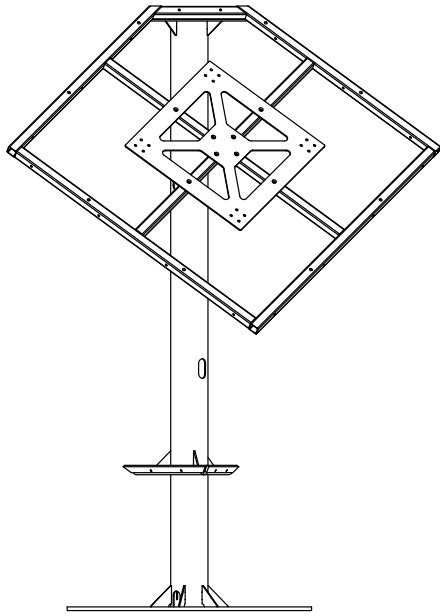


Use M8x70 socket button head screw and M8 nuts

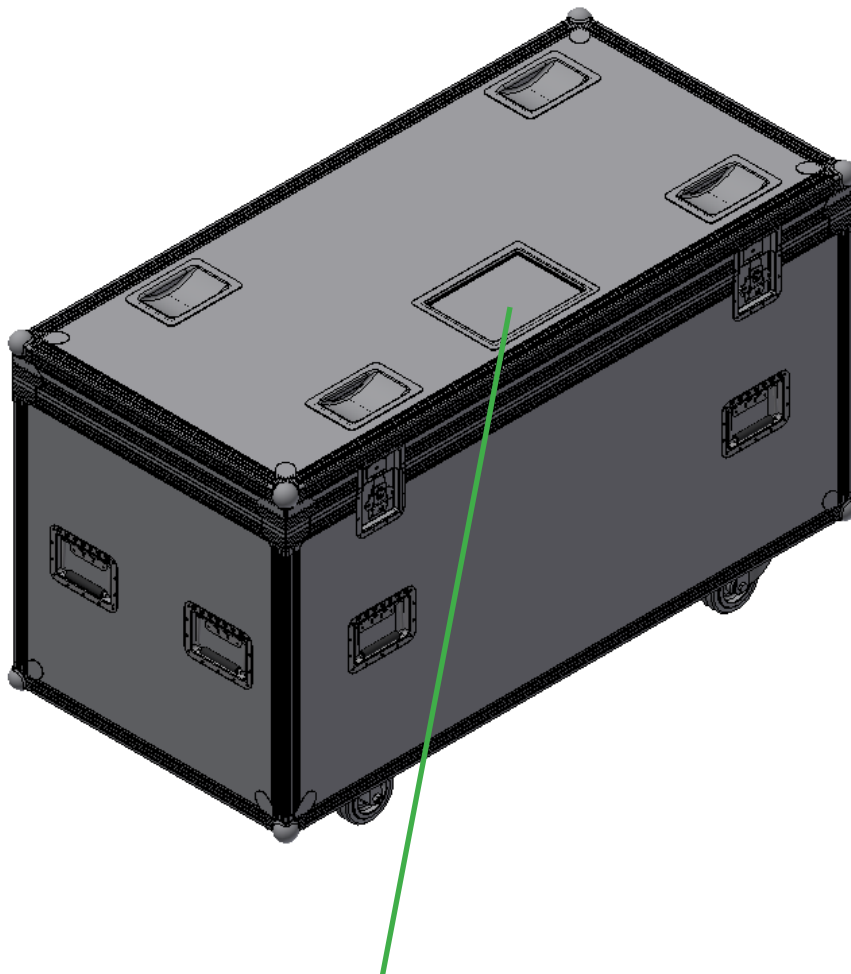
unfolded Hi LED 55+ diamond



Connect the frames with the L- profiles

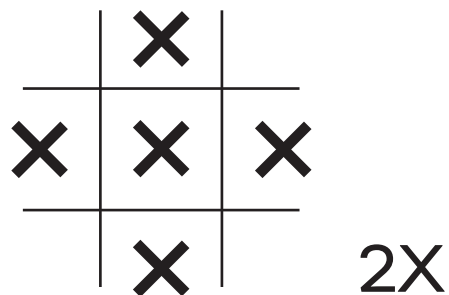


# HI-LED tile cases



The transport boxes for the HI-LED are labelled,  
All LED modules are prepared for easy assembly.

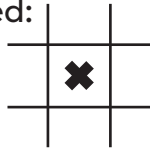
For the next step, take the boxes labelled:



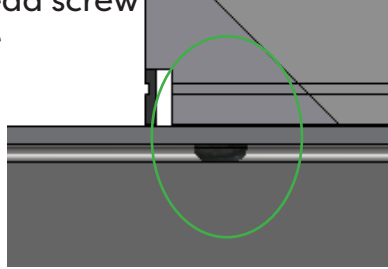
# HI-LED tile placement

First, place all the LED tiles in the centre of the plane.

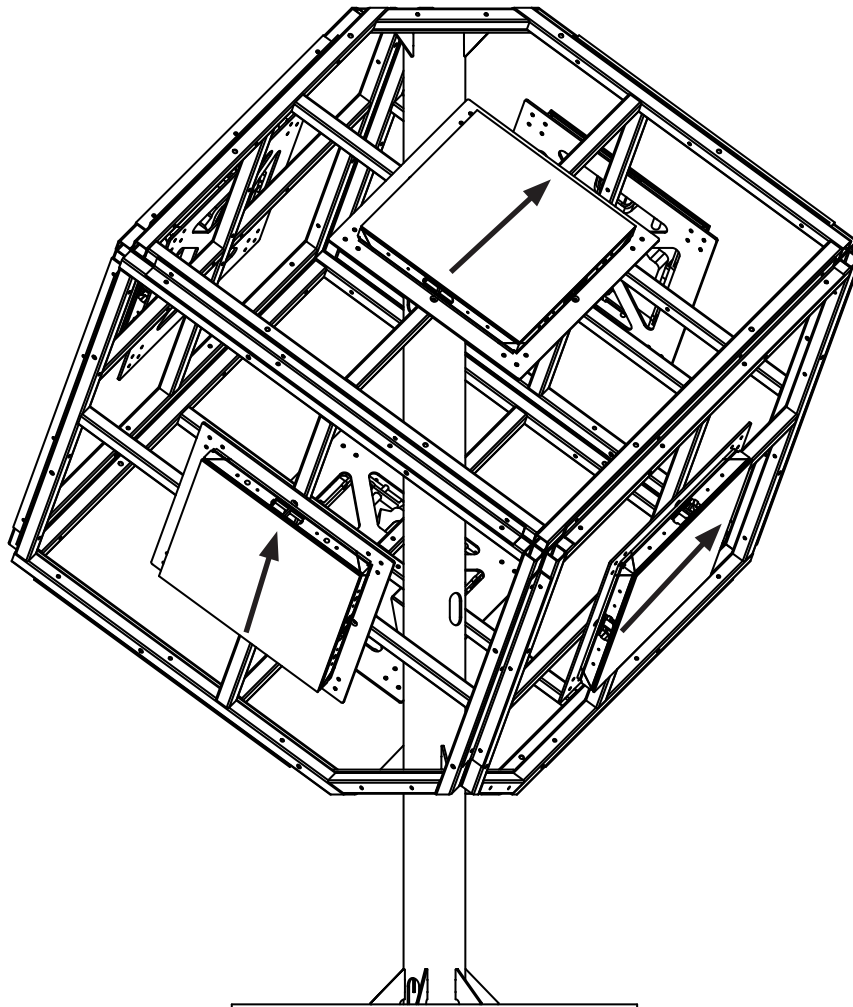
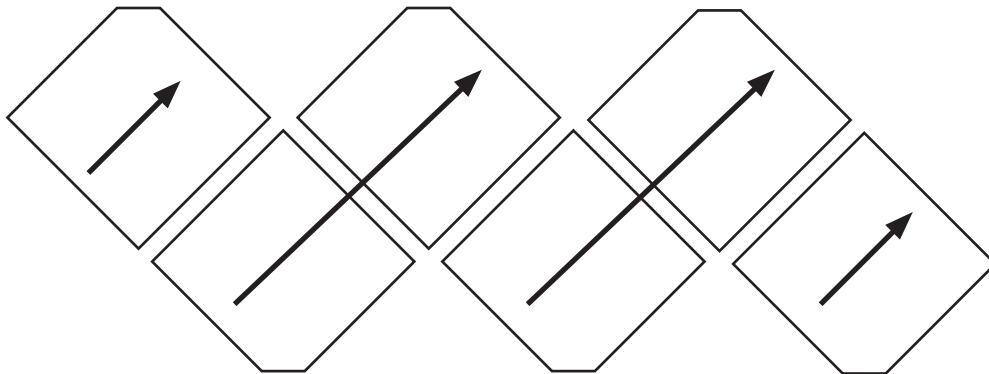
These are labelled:



Use M8x20 socket button head screw to mount the tile to the plate



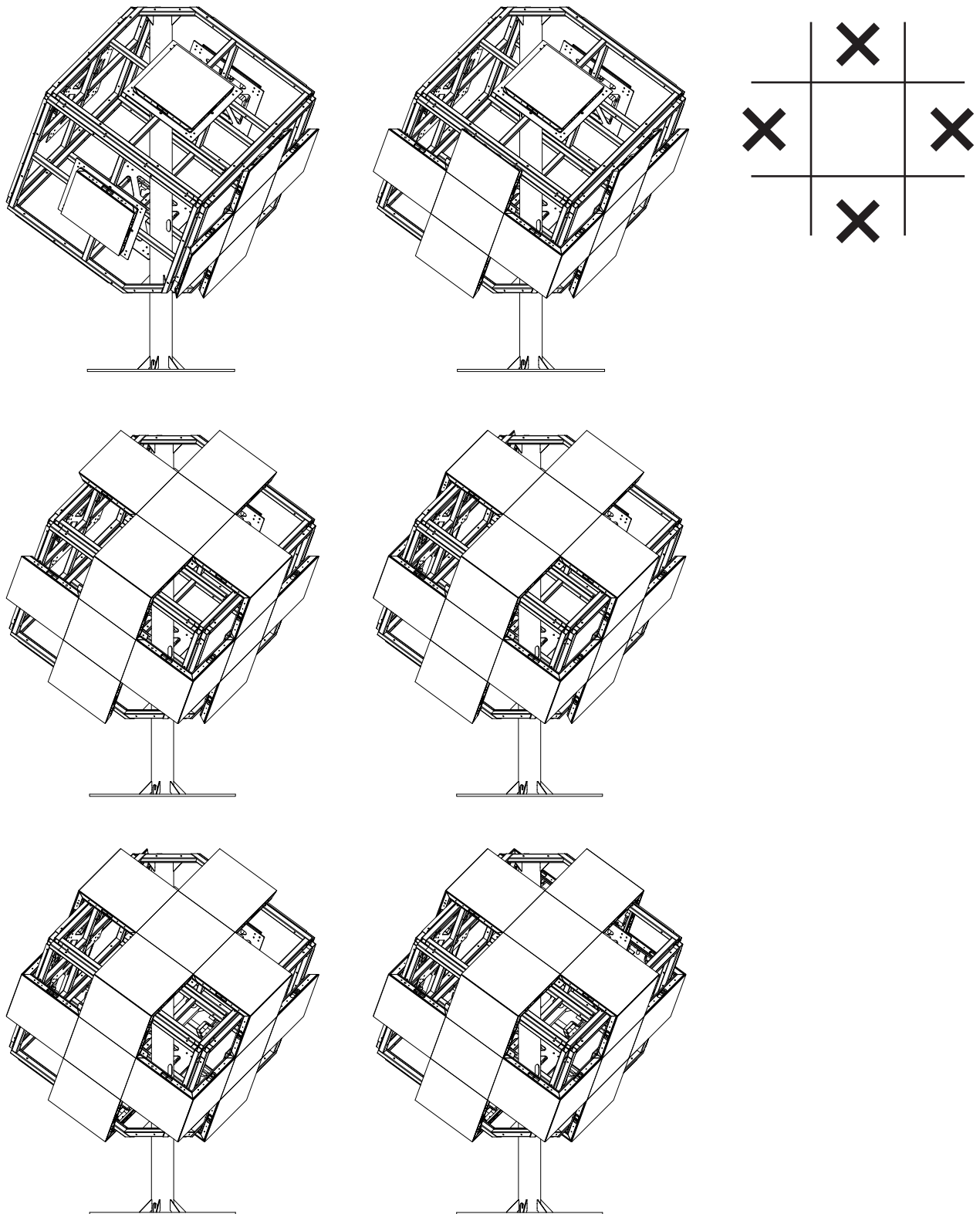
Orientation LED tiles



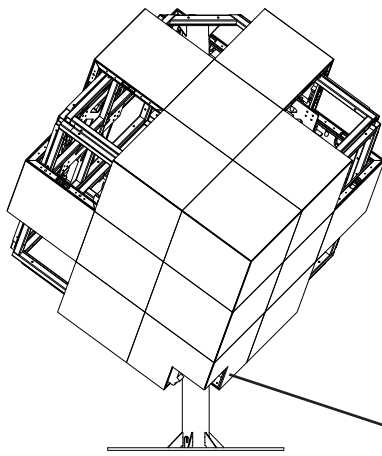
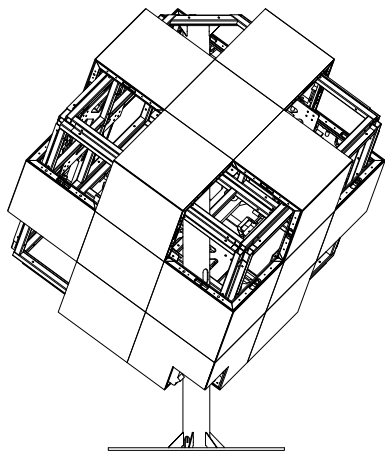
Then place the LED tiles above/below/left and right of the central LED tile.

Connect the LED tiles at the corners with 90° connectors.

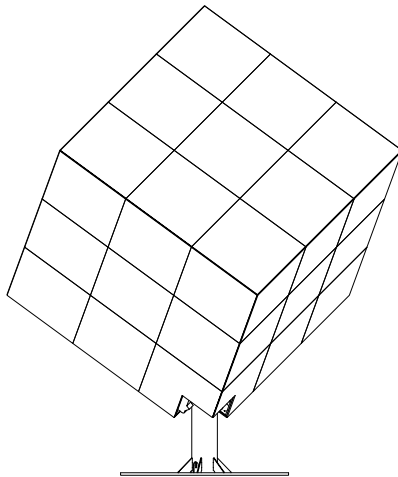
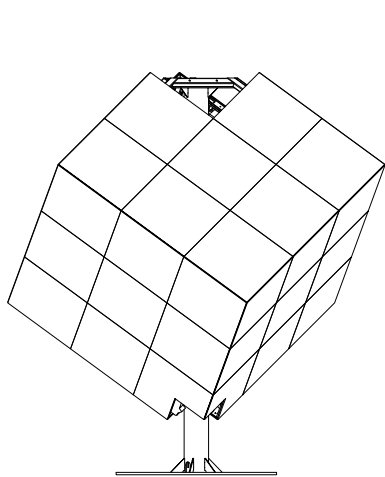
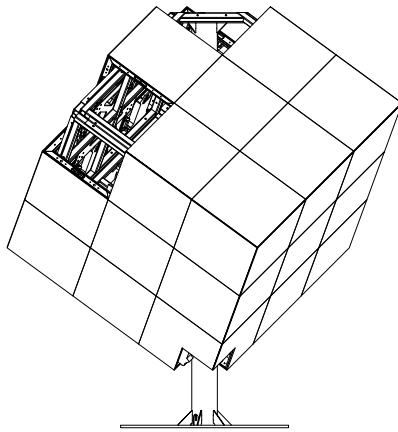
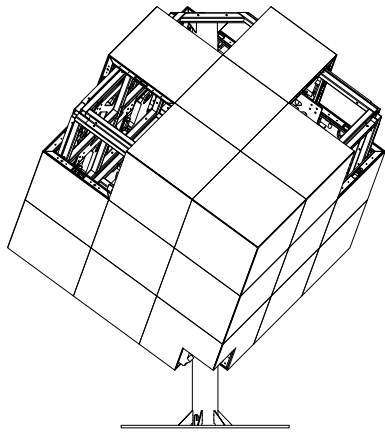
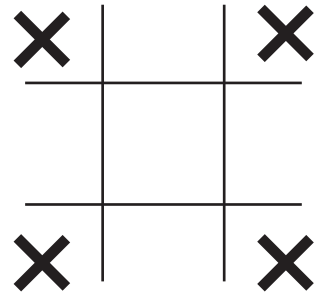
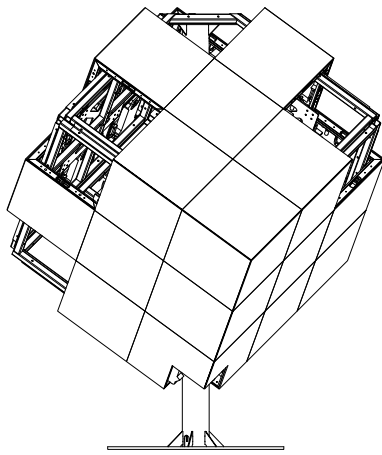
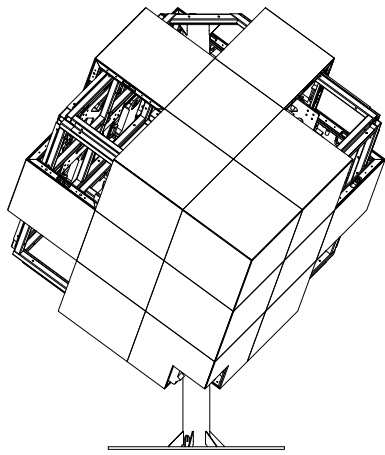
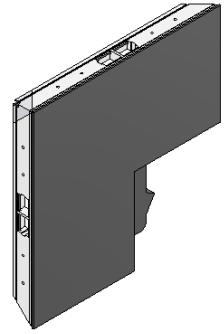
Also fix these tiles to the plate twice with the M8 x 20 socket button head.



(sequence of surfaces may vary)

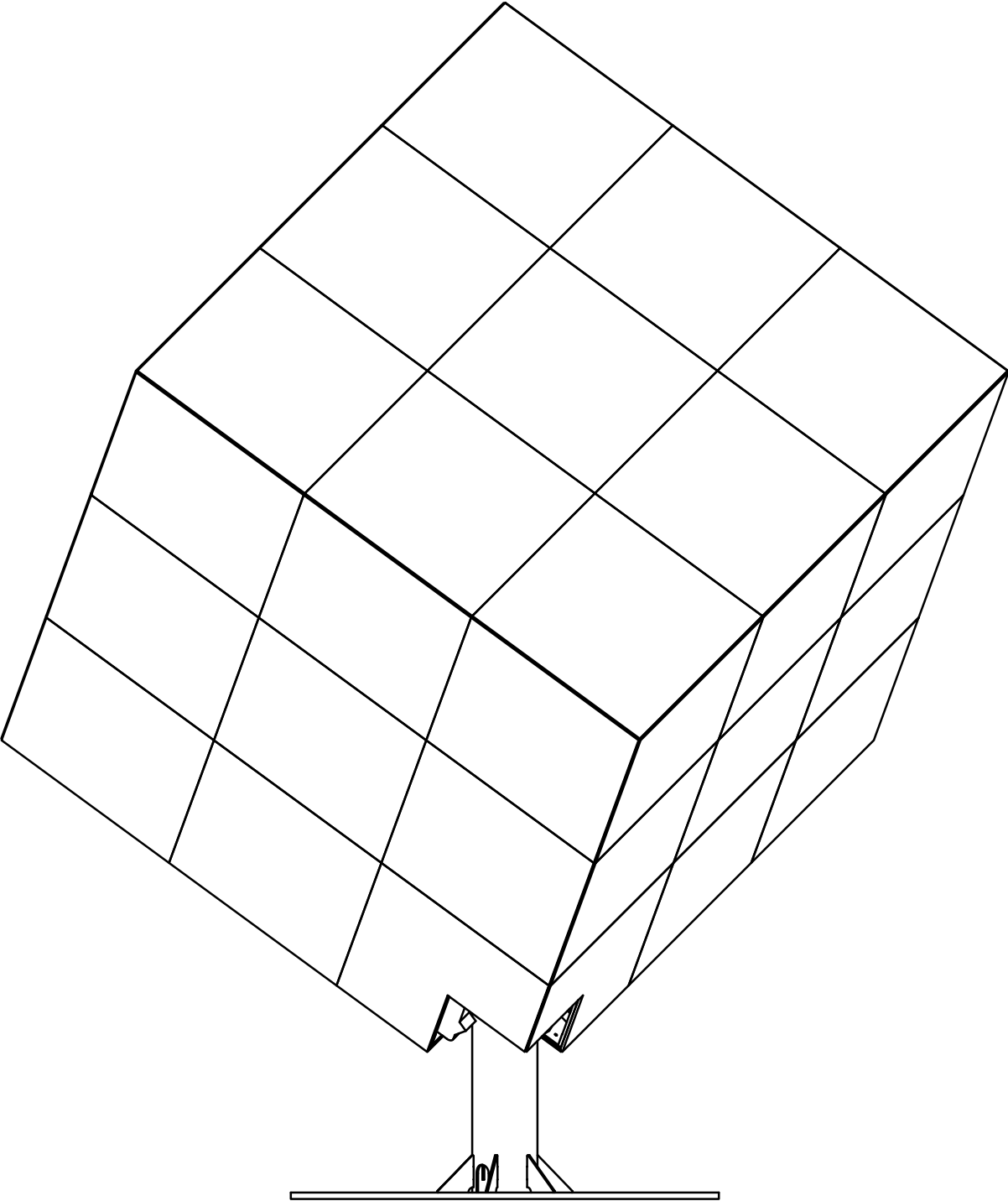


Use the 3 custom LED tiles at the bottom of the diamond



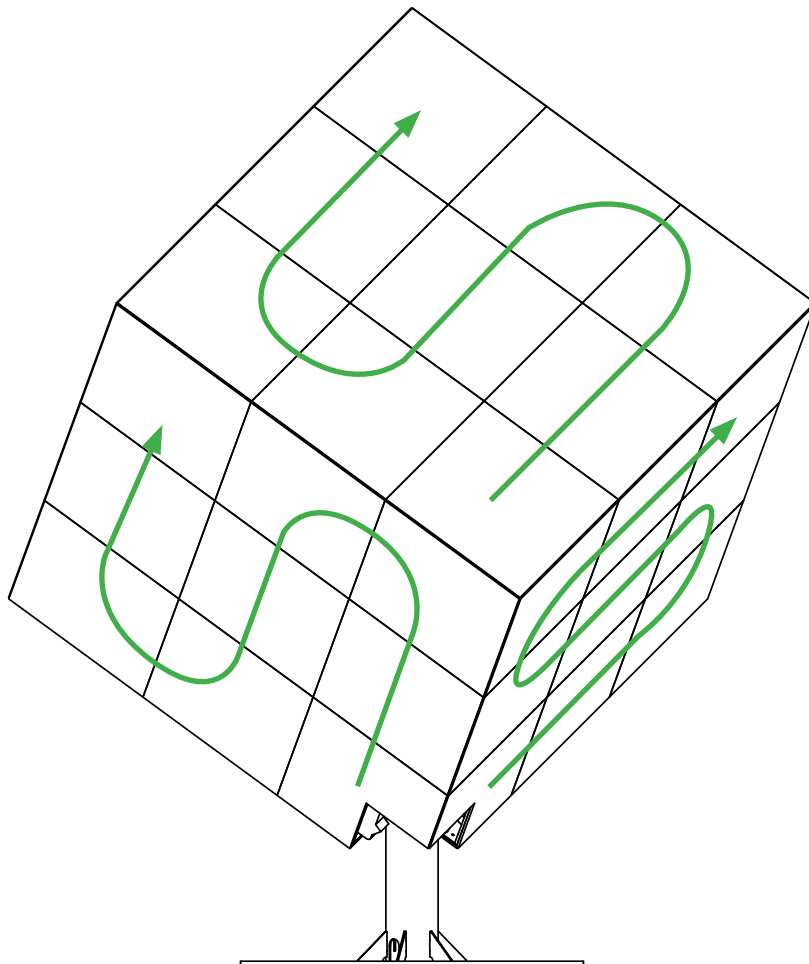
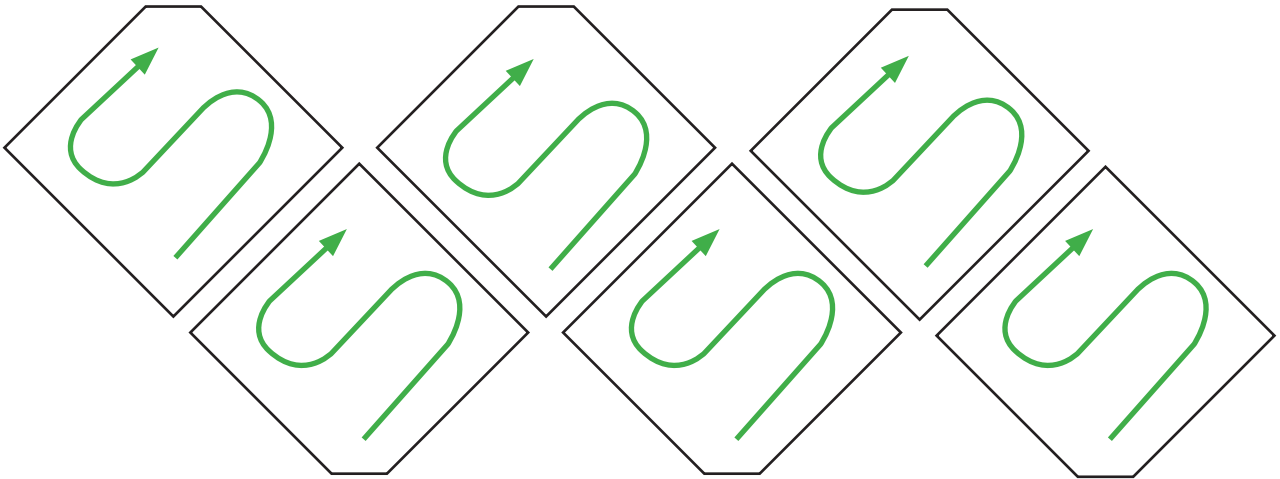
(sequence of surfaces may vary)

Align the chassis against each other before mounting the LED modules



# HI-LED tile wiring

Wiring of the LED tiles

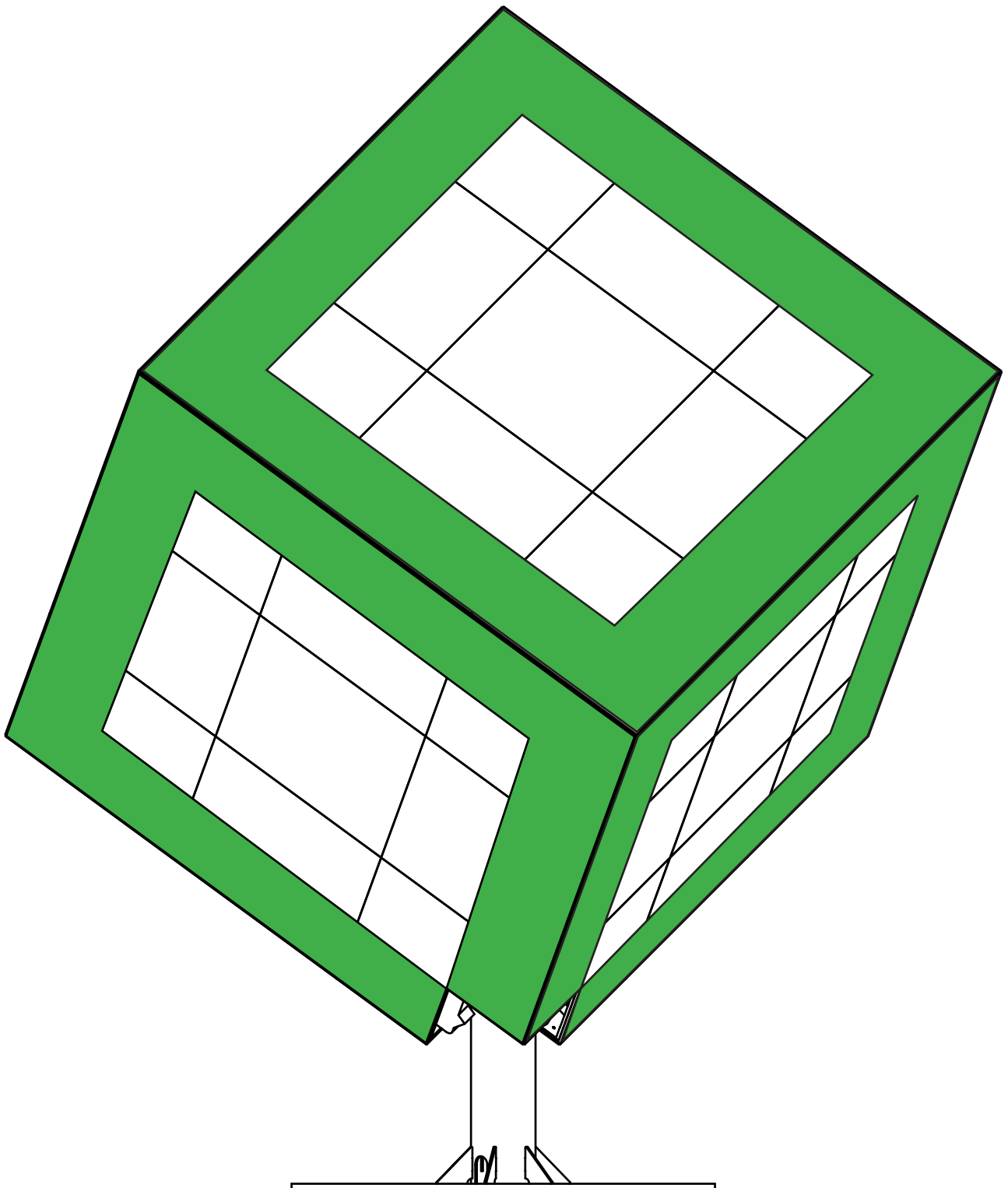


# HI-LED module placing

Definitely place HI-LED 55+ modules on the sides

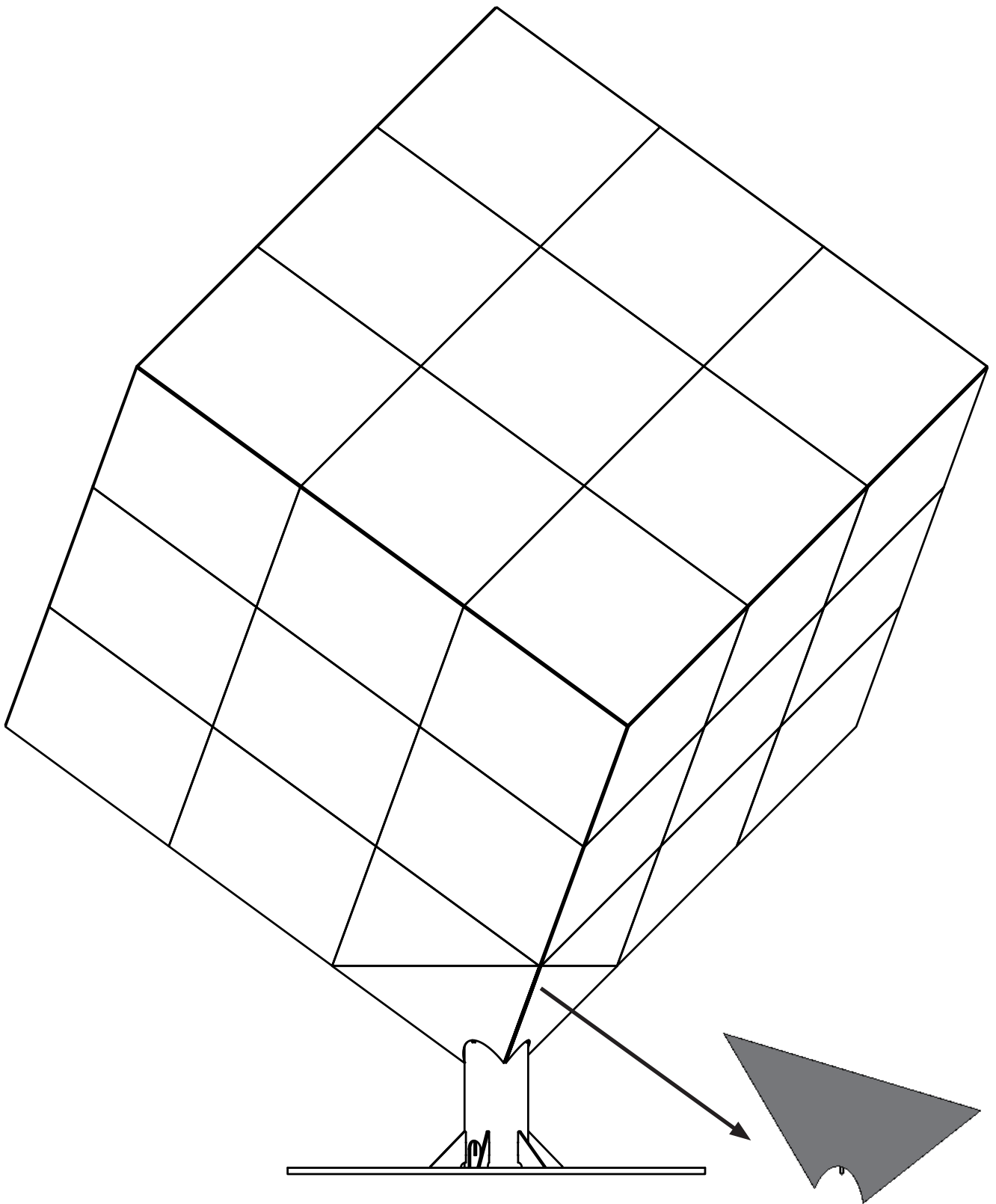


Fill the rest of the chasis with HI-LED modules, HI-LED 55+ or HI-LED 55



# FINISHING

Finish with the cover plates at the bottom



3x